

R35-1209BB50R00FxxQC

◆ **Product Features**

Case Size	Std. Resistance	Power
1209 mils	50Ω	50 mW

◆ **Specifications**

Operating Frequency	DC to 67 GHz
Insertion Loss	3.5 dB ± 2dB typical
Operating Temperature Range	55°C to +150°C
Resistive Material	Tantalum Nitride (TaN)
Temperature Coefficient	±150 ppm/°C standard
Resistance Tolerance	±1% standard
Substrate	Alumina (Al ₂ O ₃); other substrates available
Metallization	A = Tantalum/Palladium/Gold (TaN/Pd/Au) R = Titanium/Platinum/Gold (Ti/Pt/Au)

◆ **Packaging**

Parts are available in Waffle Packs and Tape & Reel.
Contact PPI for additional packaging options.

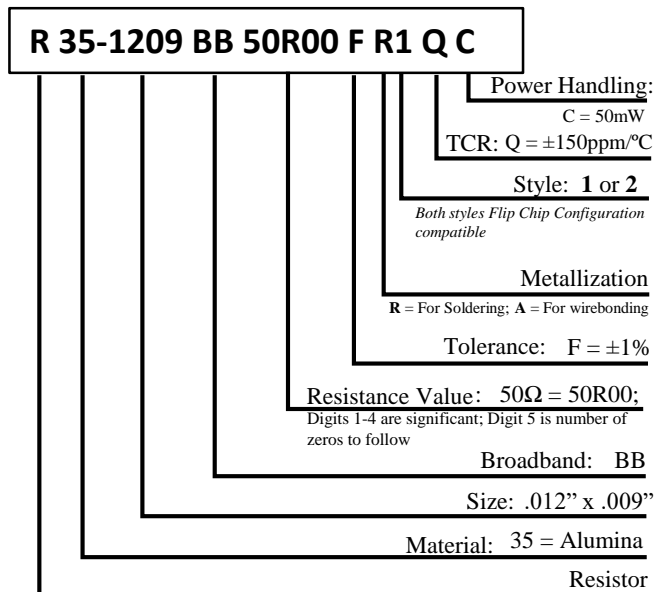
◆ **Mechanical Dimensions**

L = 0.012" ± 0.001" (0.305mm ± 0.051mm)
W = 0.009" ± 0.001" (0.229mm ± 0.051mm)
H = 0.005" ± 0.001" (0.127mm ± 0.025mm)

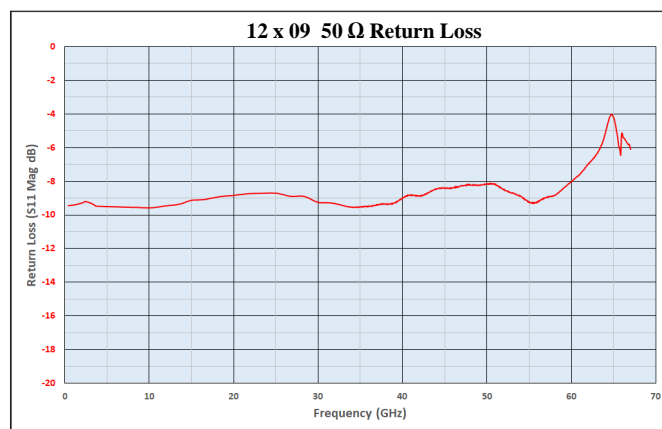
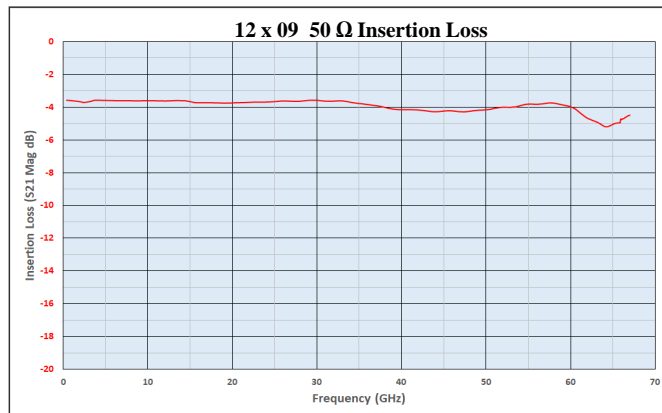
◆ **Test Conditions**

Typical responses for sample placed across a 0.076 mm (3.0 mil) gap between 0.203 mm (8.0 mil) wide mounting pads on 4-mil Rogers RO4350B. Measured data is de-embedded to the mounting pad edges using TRL calibration procedures.

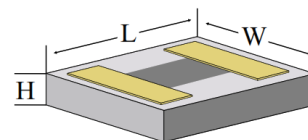
◆ **Part Numbering**



◆ **Performance Curves—
Insertion and Return Loss Charts**

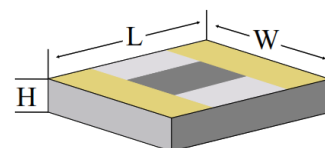
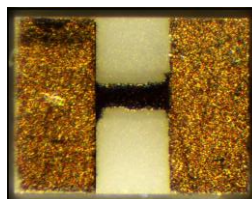


Style: 1 Recessed Pad



1% standard tolerance (other tolerances available)

Style: 2 Full Pad



1% tolerance only