

# Ceramic Low Pass Filter

50Ω DC<sup>(1)</sup> to 3000 MHz

## LFCN-3000+ LFCN-3000



CASE STYLE: FV1206  
PRICE: \$1.99 ea. QTY (20)

**+RoHS Compliant**  
The +Suffix identifies RoHS Compliance. See our web site for RoHS Compliance methodologies and qualifications

Available Tape and Reel at no extra cost  
Reel Size: 7" Devices/Reel: 20, 50, 100, 200, 500, 1000, 3000

### Maximum Ratings

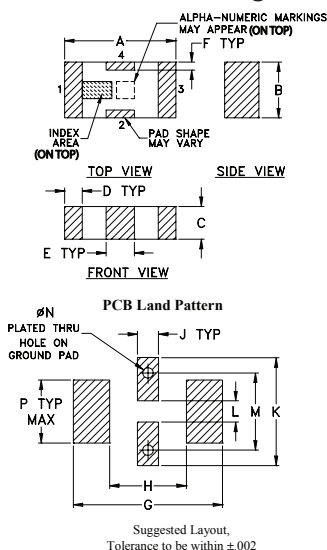
Operating Temperature	-55°C to 100°C
Storage Temperature	-55°C to 100°C
RF Power Input*	10W max. at 25°C

\* Passband rating, derate linearly to 3.5W at 100°C ambient. Permanent damage may occur if any of these limits are exceeded.

### Pin Connections

RF IN	1
RF OUT	3
GROUND	2,4

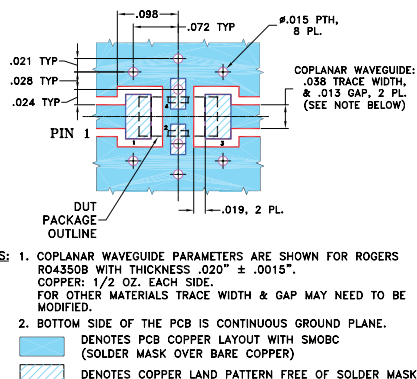
### Outline Drawing



### Outline Dimensions (inch/mm)

A	B	C	D	E	F	G	
.126	.063	.037	.020	.032	.009	.169	
3.20	1.60	0.94	0.51	0.81	0.23	4.29	
H	J	K	L	M	N	P	wt
.087	.024	.122	.024	.087	.012	.071	grams
2.21	0.61	3.10	0.61	2.21	0.30	1.80	.020

Demo Board MCL P/N: TB-270  
Suggested PCB Layout (PL-137)



### Features

- excellent power handling, 10W
- small size
- 7 sections
- temperature stable
- LTCC construction
- protected by U.S. Patent 6,943,646

### Applications

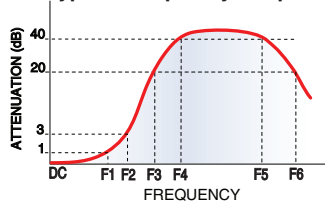
- harmonic rejection
- VHF/UHF transmitters/receivers
- lab use

### Electrical Specifications<sup>(1)</sup> at 25°C

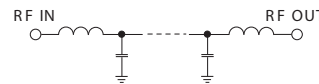
Parameter	F#	Frequency (MHz)	Min.	Typ.	Max.	Unit	
Pass Band	Insertion Loss	DC-F1	DC-3000	—	—	1.2	dB
	Freq. Cut-Off	F2	3600	—	3.0	—	dB
	VSWR	DC-F1	DC-3000	—	1.2	—	:1
Stop Band	Rejection Loss	F3	4550	20	—	—	dB
		F4-F5	4780-7500	—	30	—	dB
		F6	10000	—	20	—	dB
VSWR	F3-F6	4550-10000	—	20	—	:1	

(1) In Application where DC voltage is present at either input or output ports, coupling capacitors are required. Alternatively, if DC pass IN-OUT is required, Mini-Circuits' "D" suffix version of this model will support DC IN-OUT, and provide >100 MOhm isolation to ground.

### Typical Frequency Response

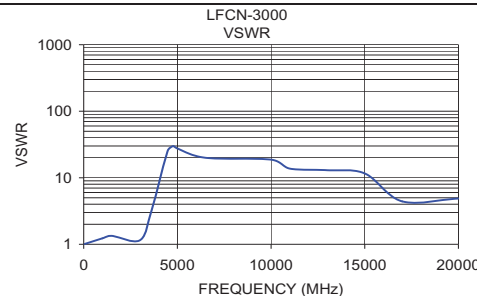
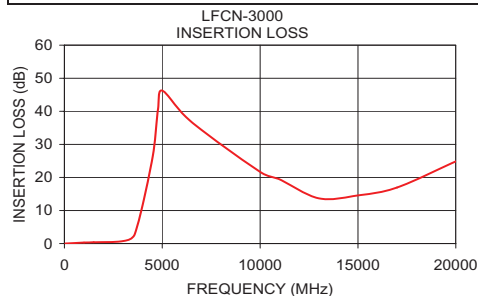


### Electrical Schematic



### Typical Performance Data at 25°C

Frequency (MHz)	Insertion Loss (dB)	VSWR (:1)
50	0.03	1.01
1000	0.29	1.23
1500	0.40	1.34
3000	0.77	1.15
3600	2.96	3.08
4480	25.24	25.19
4780	40.44	29.96
5000	46.26	27.59
6500	36.73	19.98
10000	21.68	18.70
11000	19.41	13.70
13000	13.67	12.99
15000	14.56	11.61
17000	16.94	4.41
20000	24.85	4.88



**Mini-Circuits**  
ISO 9001 ISO 14001 AS 9100 CERTIFIED

P.O. Box 350166, Brooklyn, New York 11235-0003 (718) 934-4500 Fax (718) 332-4661 The Design Engineers Search Engine Provides ACTUAL Data Instantly at [minicircuits.com](http://minicircuits.com)

Notes: 1. Performance and quality attributes and conditions not expressly stated in this specification sheet are intended to be excluded and do not form a part of this specification sheet. 2. Electrical specifications and performance data contained herein are based on Mini-Circuits' applicable established test performance criteria and measurement instructions. 3. The parts covered by this specification sheet are subject to Mini-Circuits standard limited warranty and terms and conditions (collectively, "Standard Terms"); Purchasers of this part are entitled to the rights and benefits contained therein. For a full statement of the Standard Terms and the exclusive rights and remedies thereunder, please visit Mini-Circuits' website at [www.minicircuits.com/MCLStore/terms.jsp](http://www.minicircuits.com/MCLStore/terms.jsp).

REV. G  
M125148  
LFCN-3000  
EDR-6783/6  
RVN/AD/CP/AM  
130225