

# Ceramic Low Pass Filter

50Ω DC to 1200 MHz

## LFCN-1200D+



CASE STYLE: FV1206  
PRICE: \$2.49 ea. QTY (20)

**+RoHS Compliant**  
The +Suffix identifies RoHS Compliance. See our web site for RoHS Compliance methodologies and qualifications

**Available Tape and Reel at no extra cost**  
Reel Size: 7" Devices/Reel: 20, 50, 100, 200, 500, 1000, 3000

### Maximum Ratings

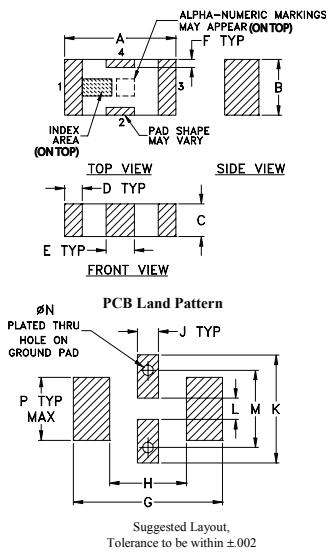
Operating Temperature	-55°C to 100°C
Storage Temperature	-55°C to 100°C
RF Power Input*	10W max. at 25°C
Max. DC Voltage at pins 1&3	25 VDC
DC Current Input to Output	0.5A max. at 25°C

\* Derate linearly to 3.5W at 100°C ambient.  
Permanent damage may occur if any of these limits are exceeded.

### Pin Connections

RF IN	1
RF OUT	3
GROUND	2,4

### Outline Drawing



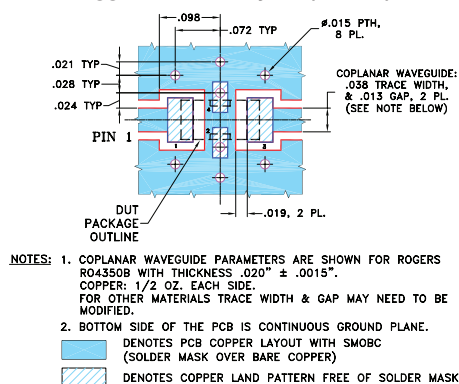
### Outline Dimensions (inch)

A	B	C	D	E	F	G
.126	.063	.037	.020	.032	.009	.169
3.20	1.60	0.94	0.51	0.81	0.23	4.29

H	J	K	L	M	N	P	wt
.087	.024	.122	.024	.087	.012	.071	grams
2.21	0.61	3.10	0.61	2.21	0.30	1.80	.020

### Demo Board MCL P/N: TB-270 Suggested PCB Layout (PL-137)



### Features

- excellent power handling, 10W
- small size
- 7 sections
- temperature stable
- LTCC construction
- protected by U.S Patent 6,943,646

### Applications

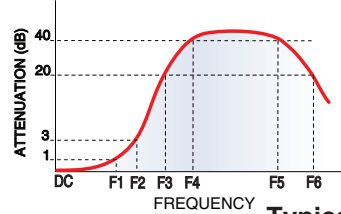
- harmonic rejection
- VHF/UHF transmitters/receivers
- lab use

### Electrical Specifications<sup>1</sup> at 25°C

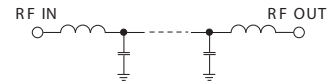
Parameter	F#	Frequency (MHz)	Min.	Typ.	Max.	Unit	
Pass Band	Insertion Loss	DC-F1	DC-1200	—	—	1.0	dB
	Freq. Cut-Off	F2	1530	—	3.0	—	dB
	VSWR	DC-F1	DC-1200	—	1.2	—	:1
Stop Band	Rejection Loss	F3	1865	20	—	—	dB
		F4-F5	2000-5000	—	30	—	dB
		F6	6200	—	20	—	dB
VSWR	F3-F6	1865-6200	—	20	—	:1	

1. DC Resistance to ground is 100 Mohms min.

### Typical Frequency Response

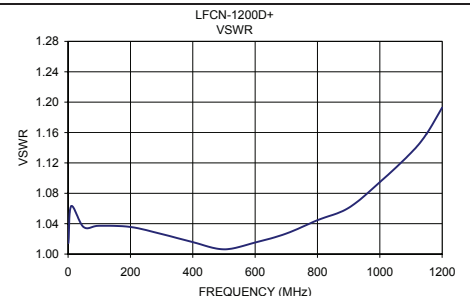
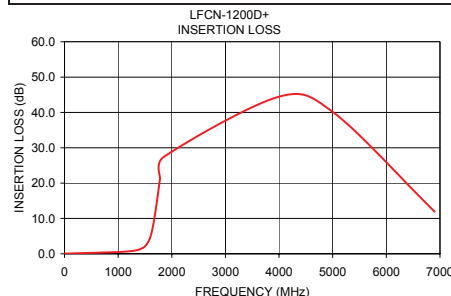


### Electrical Schematic



### Typical Performance Data at 25°C

Frequency (MHz)	Insertion Loss (dB)	VSWR (:1)
1.00	0.05	1.01
1000.00	0.49	1.09
1200.00	0.69	1.19
1300.00	0.89	1.29
1400.00	1.25	1.43
1500.00	2.10	1.71
1580.00	3.95	2.39
1630.00	6.44	3.38
1680.00	10.39	4.99
1730.00	15.56	6.97
1780.00	21.20	8.86
1850.00	27.39	11.09
4000.00	44.47	38.61
5000.00	40.17	39.49
6900.00	11.93	14.74



**Mini-Circuits®**  
ISO 9001 ISO 14001 AS 9100 CERTIFIED  
The Design Engineers Search Engine  
IF/RF MICROWAVE COMPONENTS

P.O. Box 350166, Brooklyn, New York 11235-0003 (718) 934-4500 Fax (718) 332-4661 Provides ACTUAL Data Instantly at [minicircuits.com](http://minicircuits.com)

Notes: 1. Performance and quality attributes and conditions not expressly stated in this specification sheet are intended to be excluded and do not form a part of this specification sheet. 2. Electrical specifications and performance data contained herein are based on Mini-Circuits' applicable established test performance criteria and measurement instructions. 3. The parts covered by this specification sheet are subject to Mini-Circuits' standard limited warranty and terms and conditions (collectively, "Standard Terms"); Purchasers of this part are entitled to the rights and benefits contained therein. For a full statement of the Standard Terms and the exclusive rights and remedies thereunder, please visit Mini-Circuits' website at [www.minicircuits.com/MCLStore/terms.jsp](http://www.minicircuits.com/MCLStore/terms.jsp).

REV. D  
M125148  
LFCN-1200D+  
ED-13263/3  
AD/CP/AM  
130225