

Ceramic Low Pass Filter

50Ω DC⁽¹⁾ to 1000 MHz

LFCN-1000+ LFCN-1000



CASE STYLE: FV1206
PRICE: \$1.99 ea. QTY (20)

+RoHS Compliant
The +Suffix identifies RoHS Compliance. See our web site for RoHS Compliance methodologies and qualifications

Available Tape and Reel at no extra cost

| Reel Size | Devices/Reel |
|-----------|-----------------------------------|
| 7" | 20, 50, 100, 200, 500, 1000, 3000 |

Maximum Ratings

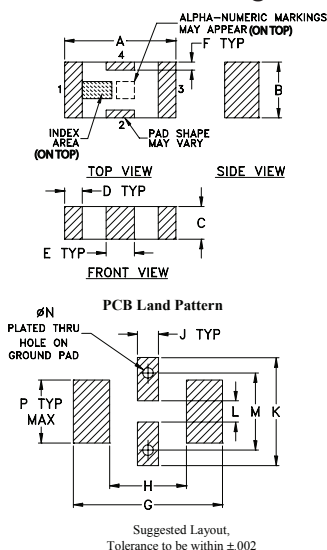
| | |
|-----------------------|------------------|
| Operating Temperature | -55°C to 100°C |
| Storage Temperature | -55°C to 100°C |
| RF Power Input* | 10W max. at 25°C |

* Passband rating, derate linearly to 3.5W at 100°C ambient. Permanent damage may occur if any of these limits are exceeded.

Pin Connections

| | |
|--------|-----|
| RF IN | 1 |
| RF OUT | 3 |
| GROUND | 2,4 |

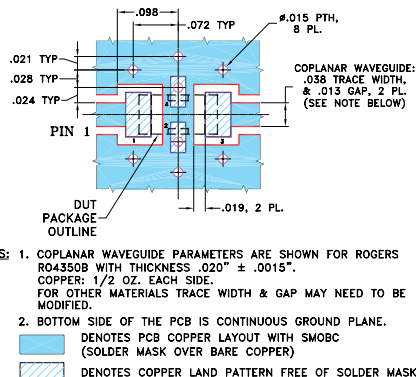
Outline Drawing



Outline Dimensions (inch/mm)

| | | | | | | | |
|------|------|------|------|------|------|------|-------|
| A | B | C | D | E | F | G | |
| .126 | .063 | .037 | .020 | .032 | .009 | .169 | |
| 3.20 | 1.60 | 0.94 | 0.51 | 0.81 | 0.23 | 4.29 | |
| H | J | K | L | M | N | P | wt |
| .087 | .024 | .122 | .024 | .087 | .012 | .071 | grams |
| 2.21 | 0.61 | 3.10 | 0.61 | 2.21 | 0.30 | 1.80 | .020 |

Demo Board MCL P/N: TB-270
Suggested PCB Layout (PL-137)



Features

- excellent power handling, 10W
- small size
- 7 sections
- temperature stable
- LTCC construction
- protected by U.S Patent 6,943,646

Applications

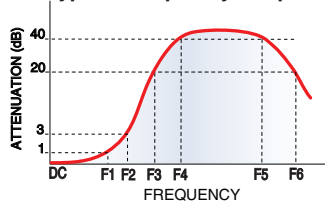
- harmonic rejection
- VHF/UHF transmitters/receivers
- lab use

Electrical Specifications⁽¹⁾ at 25°C

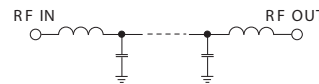
| Parameter | F# | Frequency (MHz) | Min. | Typ. | Max. | Unit | |
|-----------|----------------|-----------------|-----------|------|------|------|----|
| Pass Band | Insertion Loss | DC-F1 | DC-1000 | — | — | 1.0 | dB |
| | Freq. Cut-Off | F2 | 1300 | — | 3.0 | — | dB |
| | VSWR | DC-F1 | DC-1000 | — | 1.3 | — | :1 |
| Stop Band | Rejection Loss | F3 | 1550 | 20 | — | — | dB |
| | | F4-F5 | 1900-5000 | — | 30 | — | dB |
| | | F6 | 5500 | — | 20 | — | dB |
| | VSWR | F3-F6 | 1550-5500 | — | 20 | — | :1 |

⁽¹⁾ In Application where DC voltage is present at either input or output ports, coupling capacitors are required. Alternatively, if DC pass IN-OUT is required, Mini-Circuits' "D" suffix version of this model will support DC IN-OUT, and provide >100 MOhm isolation to ground.

Typical Frequency Response

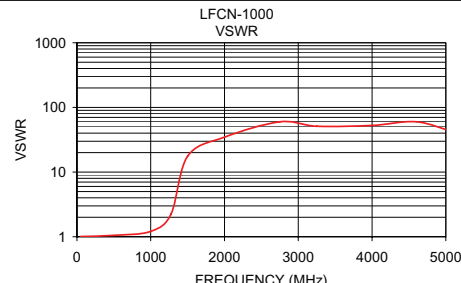
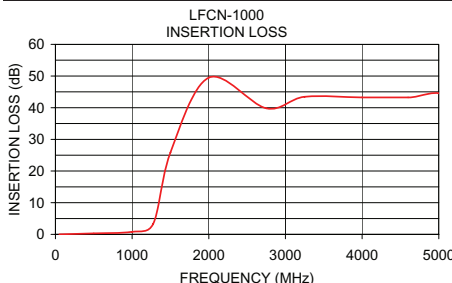


Electrical Schematic



Typical Performance Data at 25°C

| Frequency (MHz) | Insertion Loss (dB) | VSWR (:1) |
|-----------------|---------------------|-----------|
| 50.00 | 0.01 | 1.01 |
| 500.00 | 0.30 | 1.05 |
| 1000.00 | 0.80 | 1.21 |
| 1275.00 | 3.33 | 2.23 |
| 1500.00 | 25.87 | 17.57 |
| 2000.00 | 49.50 | 34.75 |
| 2750.00 | 39.80 | 59.91 |
| 3250.00 | 43.45 | 51.10 |
| 4000.00 | 43.25 | 52.65 |
| 4600.00 | 43.25 | 59.91 |
| 5125.00 | 43.11 | 41.37 |
| 5500.00 | 22.76 | 34.75 |
| 6000.00 | 15.24 | 29.46 |
| 6500.00 | 19.30 | 62.05 |
| 7000.00 | 18.56 | 69.49 |



Mini-Circuits®
ISO 9001 ISO 14001 AS 9100 CERTIFIED
The Design Engineers Search Engine
IF/RF MICROWAVE COMPONENTS

For detailed performance specs & shopping online see web site

P.O. Box 350166, Brooklyn, New York 11235-0003 (718) 934-4500 Fax (718) 332-4661 Provides ACTUAL Data Instantly at minicircuits.com

Notes: 1. Performance and quality attributes and conditions not expressly stated in this specification sheet are intended to be excluded and do not form a part of this specification sheet. 2. Electrical specifications and performance data contained herein are based on Mini-Circuits' applicable established test performance criteria and measurement instructions. 3. The parts covered by this specification sheet are subject to Mini-Circuits standard limited warranty and terms and conditions (collectively, "Standard Terms"); Purchasers of this part are entitled to the rights and benefits contained therein. For a full statement of the Standard Terms and the exclusive rights and remedies thereunder, please visit Mini-Circuits' website at www.minicircuits.com/MCLStore/terms.jsp.

REV. L
M125148
LFCN-1000
EFCN-6469/2
RVN/AD/CP/AM
130225