

Ceramic High Pass Filter

900 to 2800 MHz

NEW!
HFCN-740



BLUE CELL™

CASE STYLE: FV1206

Maximum Ratings

Operating Temperature	-55°C to 100°C
Storage Temperature	-55°C to 100°C
RF Power Input*	7W max. at 25°C

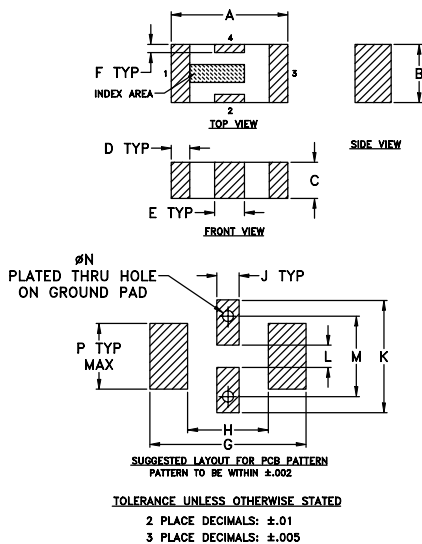
*Passband rating, derate linearly to 3W at 100°C ambient.

Pin Connections

RF IN	1**
RF OUT	3**
GROUND	2,4

**RF IN & RF OUT can be interchanged

Outline Drawing

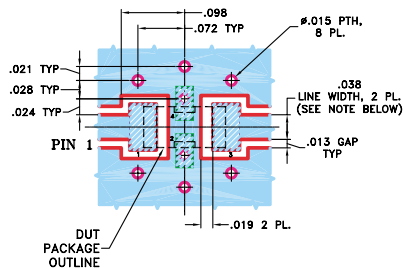


Outline Dimensions (inch)

A	B	C	D	E	F	G
.126	.063	.037	.020	.032	.009	.169
3.20	1.60	0.94	0.51	0.81	0.23	4.29

H	J	K	L	M	N	P	wt
.087	.024	.122	.024	.087	.012	.071	grams
2.21	0.61	3.10	0.61	2.21	0.30	1.80	.020

Demo Board MCL P/N: TB-270
Suggested PCB Layout (PL-137)



Features

- low cost
- small size
- 7 sections
- temperature stable
- dc block in/out, breakdown voltage, 1kV typ.
- excellent power handling, 7W

Applications

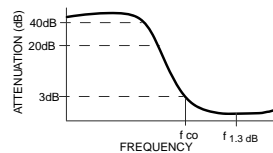
- sub-harmonic rejection and dc blocking
- transmitters/receivers
- lab use

High Pass Filter Electrical Specifications¹ (T_{AMB}=25°C)

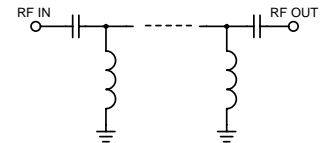
MODEL NO.	STOP BAND (MHz) Min.	f _{co} , MHz Nom. (loss > 40 dB) (loss > 20 dB) Typ.	PASSBAND (MHz) Max. (loss < 1.3 dB) (loss < 2 dB) Typ.	VSWR Typ. Frequency (MHz) 1.5:1 Stopband	POWER INPUT (W)	NO. OF SECTIONS			
HFCN-740	430	550	740	900-2200	780-2800	20:1	780-1900	7	7

1. For Applications requiring DC voltage to be applied to the Input or output, use HFCN-740D (DC Resistance to ground is 100 Mohms min.)

typical frequency response

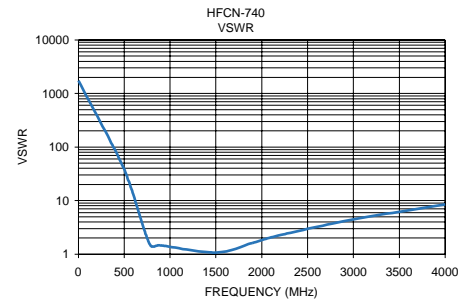
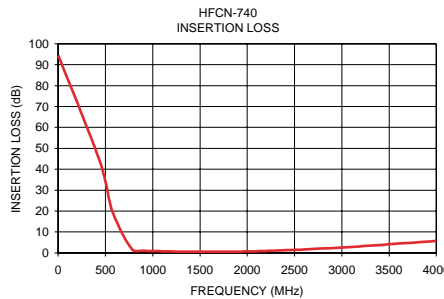


schematic



Typical Performance Data at 25°C

Frequency (MHz)	Insertion Loss (dB)	VSWR (:1)
1.00	94.42	1737.18
435.00	44.43	66.82
575.00	19.61	17.22
780.00	1.77	1.52
900.00	1.03	1.47
1500.00	0.50	1.07
1900.00	0.62	1.62
2200.00	0.94	2.27
3000.00	2.57	4.45
4000.00	5.72	8.47



designers kit available

Kit No.	No. of Units in Kit	Description	Price \$ per Kit
K1-HFCN	40	5 of each: HFCN-650,-740,-1200,-1500,-1760,-2000,-2275,-2700	79.95

Mini-Circuits®

Distribution Centers NORTH AMERICA 800-654-7949 • 417-335-5935 • Fax 417-335-5945 • EUROPE 44-1252-832600 • Fax 44-1252-837010

Mini-Circuits ISO 9001 & ISO 14001 Certified

INTERNET <http://www.minicircuits.com>

P.O. Box 350166, Brooklyn, New York 11235-0003 (718) 934-4500 Fax (718) 332-4661

REV. B
M96263
EDR-6251/2
HFCN-740
AD/RS/CP
050113