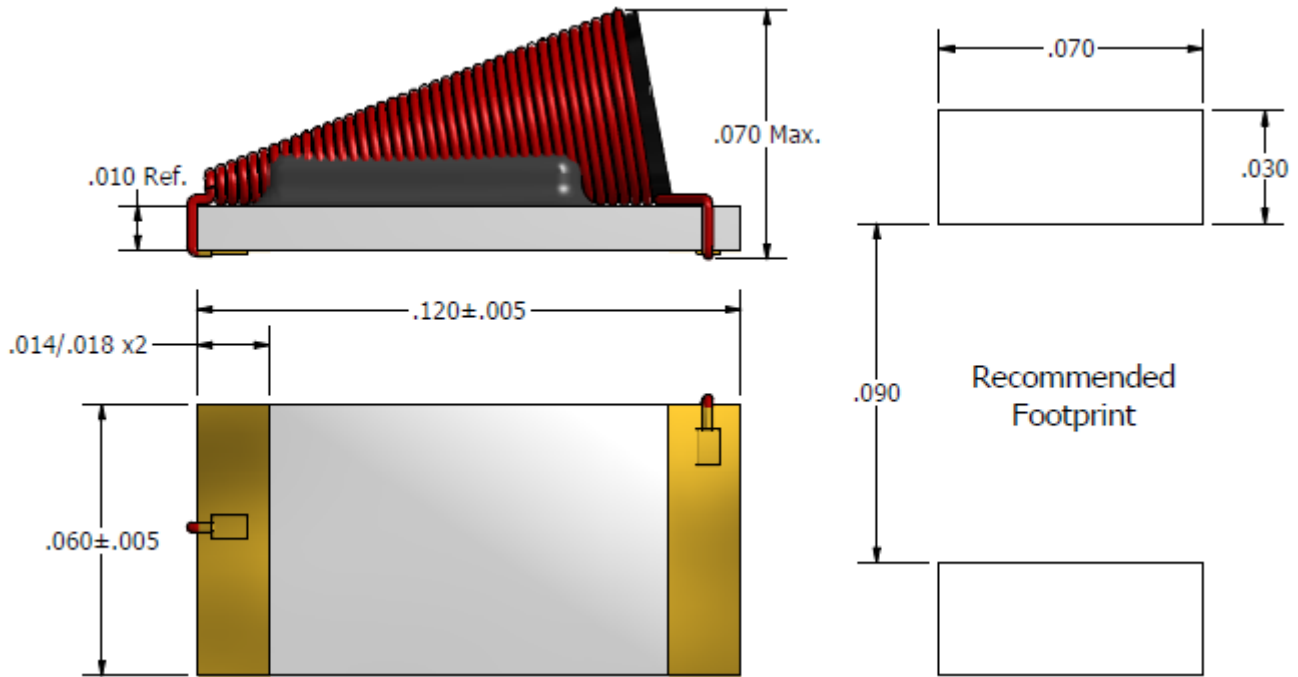


## Conical Coil C100SMC series



Gowanda Part Number	Turns	Wire Size (AWG)	Wire Type	Inductance @ 10MHz (μH)	DCR (Ohms)	Current Rating (mA)	Core Material
C100SMC4947G6	49	47	Gold Plated Copper	1.54	1.7	140	Powdered Iron
C100SMC3944G6	39	44		1.00	.74	241	
C100SMC3142G6	31	42		.69	.47	302	
C100SMC2540G6	25	40		.37	.21	452	
C100SMC1938G6	19	38		.26	.10	655	

- Current Rating is based on a 35°C temperature rise from a 90°C ambient.
- All non-tolerance dimensions and electrical data are reference only and based on nominal data.

- (1) Terminal is elongated to allow for soldering close to the coil tip.
- (2) Terminations are lead free and RoHS compliant.
- (3) Current rating is based on a 35°C temperature rise from a 90°C ambient.
- (4) Operating Temperature: -55°C to +125°C.
- (5) All electrical data is reference only and based on nominal data.
- (6) Packaging: Plastic Case: 100 parts per case