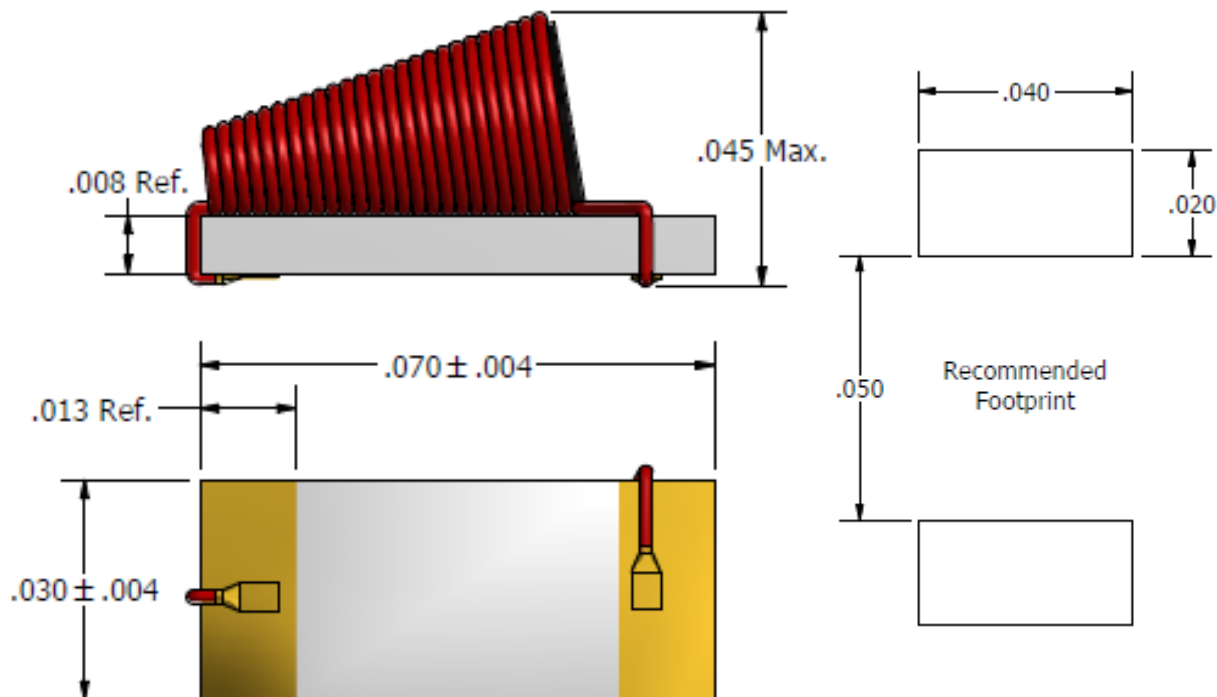


Conical Coil C050SMC series



Gowanda Part Number	Turns	Wire Size (AWG)	Wire Type	Inductance @ 10MHz (μH)	DCR (Ohms)	Current Rating (mA)	Core Material
C050SMC2547G6	25	47	Gold Plated Copper	.40	.70	300	Powdered Iron
C050SMC2144G6	21	44	Gold Plated Copper	.23	.45	375	Powdered Iron

- Current Rating is based on a 35°C temperature rise from a 90°C ambient.
- All non-tolerance dimensions and electrical data are reference only and based on nominal data.
- Packaging: Plastic case
50 parts per case
- Termination: Gold over Nickel