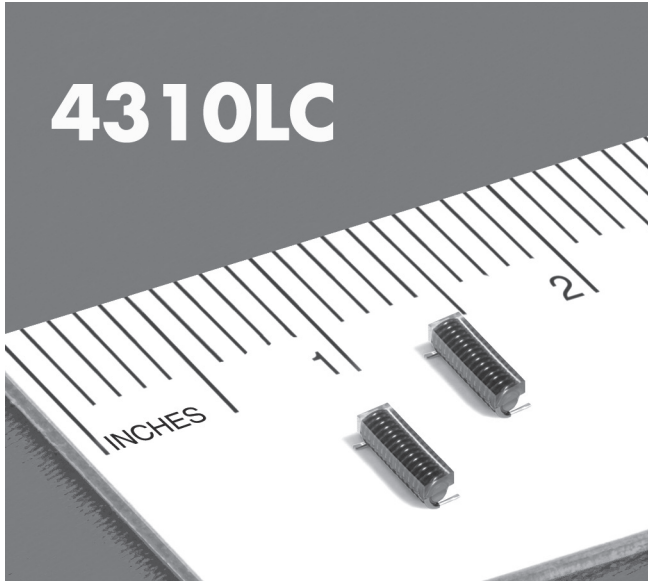


**NEW!**

Wideband Bias Chokes – 4310LC



- Flat bandwidth with high impedance to 6 GHz
- Low DCR and excellent current handling
- Ideal for use in high current bias tee applications

Core material Ferrite

Environmental RoHS compliant, halogen free

Terminations RoHS compliant tin-silver (96.5/3.5) over copper. Other terminations available at additional cost.

Weight 0.42 g

Ambient temperature –40°C to +85°C with Irms current, +85°C to +125°C with derated current

Storage temperature Component: –40°C to +85°C.

Tape and reel packaging: –40°C to +80°C

Resistance to soldering heat Max three 40 second reflows at +260°C, parts cooled to room temperature between cycles

Moisture Sensitivity Level (MSL) 1 (unlimited floor life at <30°C / 85% relative humidity)

Failures in Time (FIT) / Mean Time Between Failures (MTBF)

38 per billion hours / 26,315,789 hours, calculated per Telcordia SR-332

Packaging 350/7" reel, 1500/13" reel; Plastic tape: 24 mm wide, 0.3 mm thick, 12 mm pocket spacing, 3.5 mm pocket depth

PCB washing Only pure water or alcohol recommended

Part number ¹	Inductance ² ±10% (µH)	SRF (typ) ³ (MHz)	DCR (max) ⁴ (mOhm)	Irms (A) ⁵	
				20°C rise	40°C rise
4310LC-132KE_	1.30	235	15.1	2.7	4.2
4310LC-352KE_	3.50	188	49.0	2.3	3.1

1. When ordering, please specify **packaging** code:

4310LC-132KEC

Packaging: C = 7" machine-ready reel. EIA-481 embossed plastic tape (350 parts per full reel).

B = Less than full reel. In tape, but not machine ready. To have a leader and trailer added (\$25 charge), use code letter C instead.

D = 13" machine-ready reel. EIA-481 embossed plastic tape. Factory order only, not stocked (1500 parts per full reel).

2. Inductance measured at 100 kHz, 0.1 Vrms, 0 Adc using an Agilent/HP 16193 fixture in Agilent/HP 4284A impedance analyzer. or equivalents.

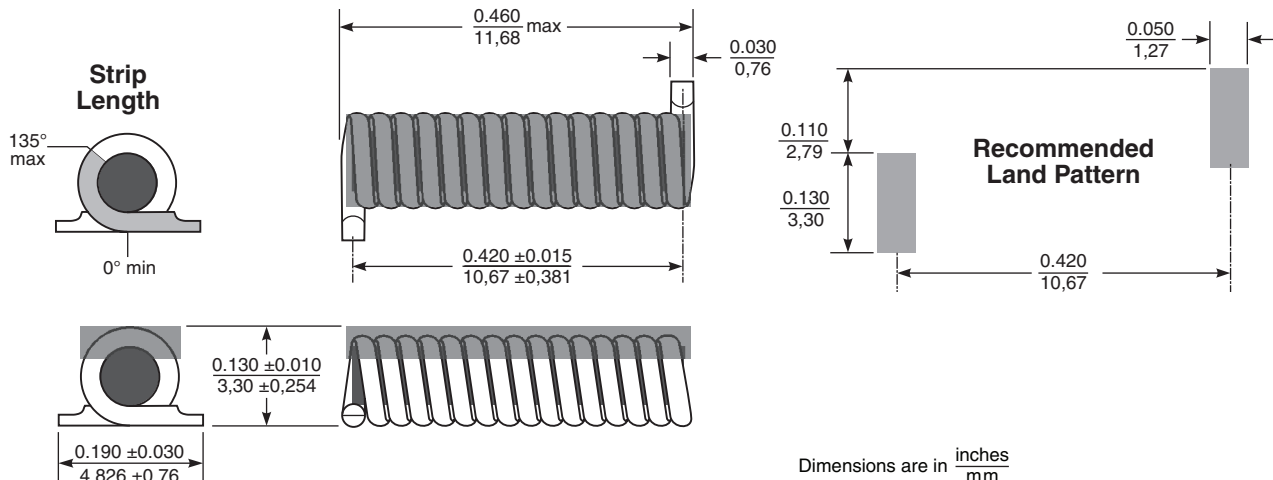
3. SRF measured using Agilent/HP 8753D network analyzer or equivalent and a Coilcraft SMD-F test fixture.

4. DCR measured on Keithley 580 micro-ohmmeter or equivalent.

5. Current that causes the specified temperature rise from 25°C ambient.

7. Electrical specifications at 25°C.

Refer to Doc 362 "Soldering Surface Mount Components" before soldering.



Dimensions are in $\frac{\text{inches}}{\text{mm}}$



www.coilcraft.com

US +1-847-639-6400 sales@coilcraft.com

UK +44-1236-730595 sales@coilcraft-europe.com

Taiwan +886-2-2264 3646 sales@coilcraft.com.tw

China +86-21-6218 8074 sales@coilcraft.com.cn

Singapore + 65-6484 8412 sales@coilcraft.com.sg

Document 878-1 Revised 01/03/12

© Coilcraft Inc. 2012

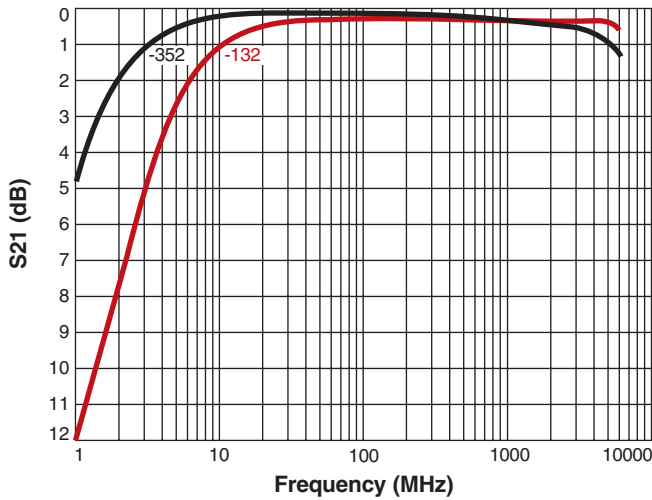
This product may not be used in medical of high risk applications without prior Coilcraft approval. Specification subject to change without notice. Please check out web site for latest information.

NEW!

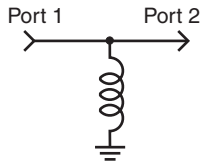


Wideband Bias Chokes - 4310LC

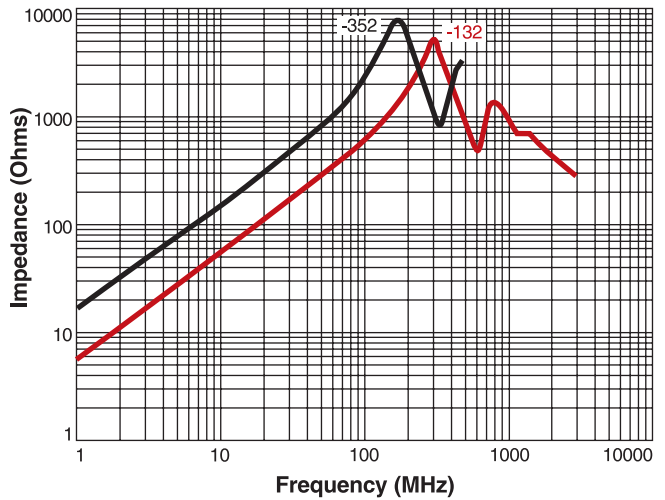
Insertion Loss (Ref: 50 Ohms)



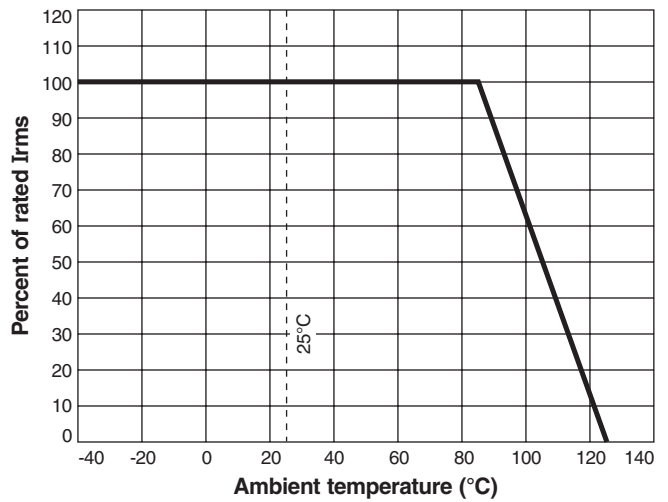
Insertion loss measured in a bias tee configuration with an Agilent/HP 8753ES network analyzer.



Impedance vs Frequency



Irms Derating



US +1-847-639-6400 sales@coilcraft.com
UK +44-1236-730595 sales@coilcraft-europe.com
Taiwan +886-2-2264 3646 sales@coilcraft.com.tw
China +86-21-6218 8074 sales@coilcraft.com.cn
Singapore + 65-6484 8412 sales@coilcraft.com.sg

Document 878-2 Revised 01/03/12

© Coilcraft Inc. 2012
 This product may not be used in medical of high risk applications without prior Coilcraft approval. Specification subject to change without notice. Please check out web site for latest information.