



WWW.BARRYIND.COM

# RZC1206CT-XXXXJN-2S

Aluminum Nitride

SURFACE MOUNT RESISTOR



### Features:

- ◆ Surface Mount
- ◆ CT - Matte Tin over Nickel over Silver
- ◆ 10 Watt Power Handling

### General Description:

The RZC1206CT-XXXXJN-2S\* is a 50 Ohm standard (.5 - 1 Megohm available) surface mountable high power chip resistor ideal for small assemblies. It offers a power dissipation of 10 Watts.

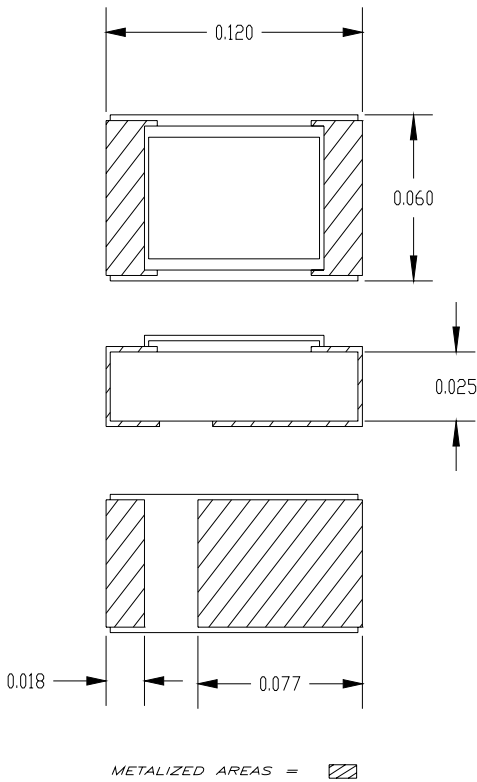


\* XXXX = Resistance Value in Ohms

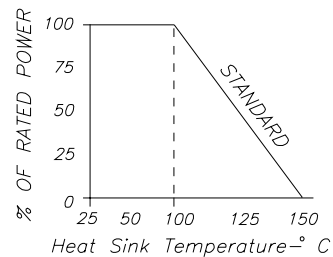
Ohms

- 0.5...R500
- 1 .....1R00
- 10.....10R0
- 50.....50R0
- 100...1000
- 150...1500
- 1K.....1001
- 10K...1002
- 100K.1003
- 470K.4703
- 1M....1004

Sample part number:  
RZC1206CT-50R0JN-2S



DERATING CURVE:



Parameter	Min.	Typ.	Max.	Units
Power Dissipation			10	WATTS
Heat Sink Temperature			100	°C