



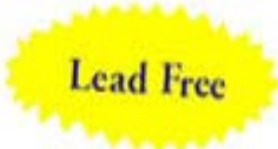
WWW.BARRYIND.COM

RY1005CT-XXXXJN-2S

Aluminum Nitride SURFACE MOUNT RESISTOR

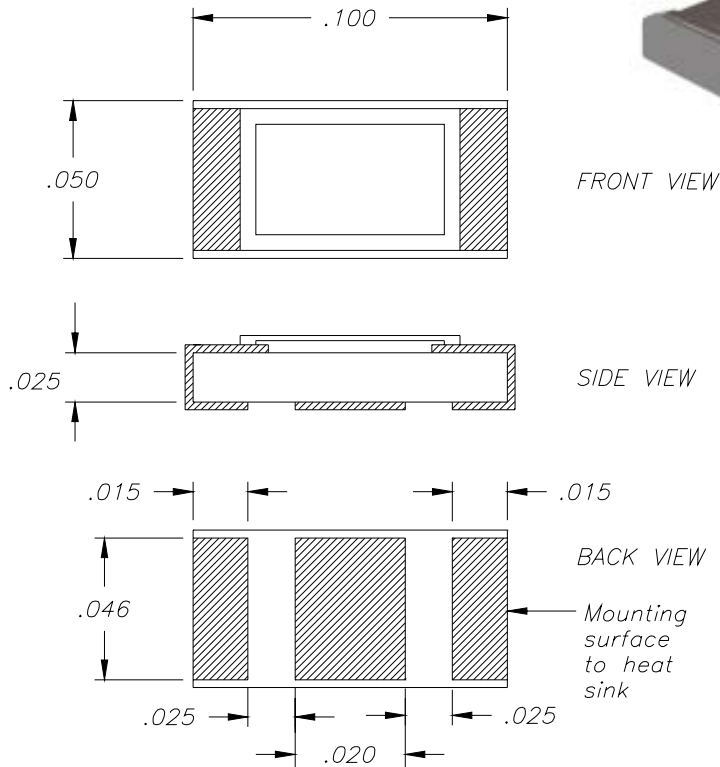
Features:

- ◆ AIN Material
- ◆ 8 Watt power rating
- ◆ Surface Mount

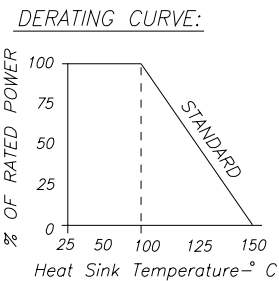


General Description:

The RY1005CT-XXXXJN-2S* is a 50 Ohm standard surface mount resistor. Its compact design is ideal for miniature electronic assemblies. It is available in custom resistance values. Please see below for ordering options.



- * XXXXX
|
Ohms
- 0.5....R500
 - 11R00
 - 10....10R0
 - 50....50R0
 - 100...1000
 - 150...1500
 - 1K....1001
 - 10K...1002
 - 100K.1003
 - 470K.4703
 - 1M....1004



Parameter	Min.	Typ.	Max.	Units
Power Dissipation			8	WATTS
Heat Sink Temperature			100	°C