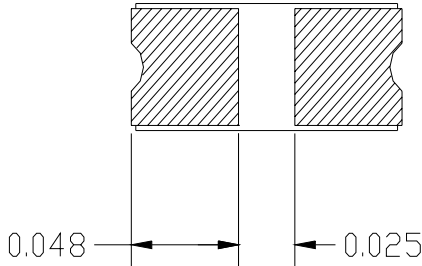
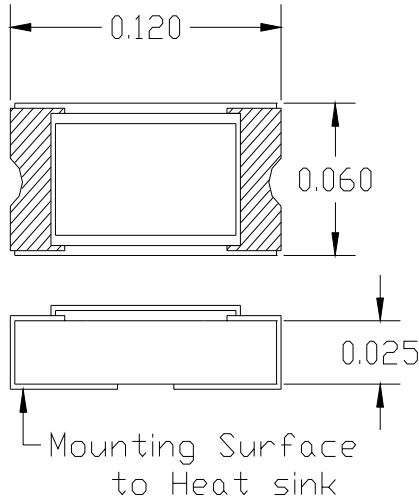


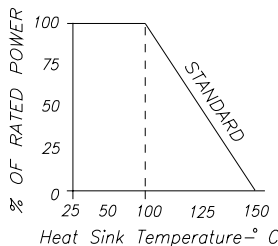
**SURFACE MOUNT RESISTOR**

**Features:**

- ◆ BeO or BeO FREE™
- ◆ Surface Mount
- ◆ .5 Ohms to 1Mohm



DERATING CURVE:



**General Description:**

The REC1206CT-XXXXJN-AA\* is a 50 Ohm standard (.5 - 1Megohm available) surface mountable high power chip resistor ideal for small assemblies. It is available in BeO and BeO FREE™ materials. Power rating based on a 100°C maximum heat sink temperature.

See below for ordering options



\* XXXX - J N AA

Ohms

0.5....R500  
1 .....1R00  
10.....10R0  
50.....50R0  
100...1000  
150...1500  
1K....1001  
10K...1002  
100K.1003  
470K.4703  
1M....1004

Material

-83 - .025" BeO FREE™ .... 5 Watts Max  
-98 - .025" BeO.....12 Watts Max

Normal Inspection

5% resistance tolerance

Sample part number:  
REC1206CT-50R0JN-83

Parameter	Min.	Typ.	Max.	Units
Power Dissipation .025" BeO FREE™			5	WATTS
Power Dissipation .025" BeO			12	WATTS
Heat Sink Temperature			100	°C

\* Barry Industries reserves the right to change part number and or process without notification