



WWW.BARRYIND.COM

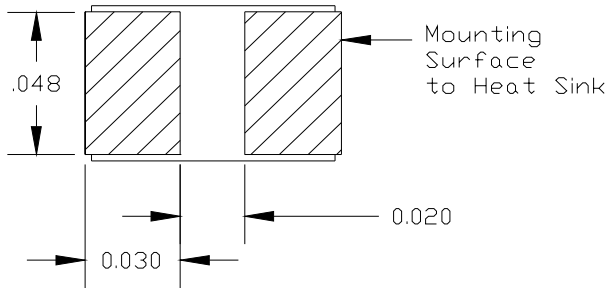
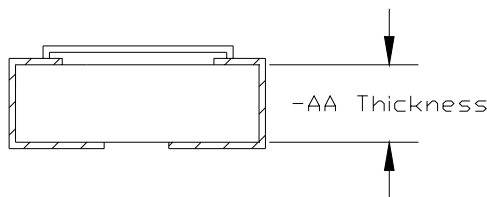
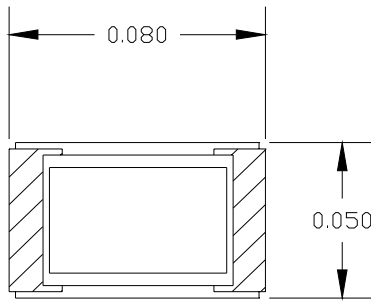
# RE0805CT-XXXXJN-AA



## SURFACE MOUNT RESISTOR

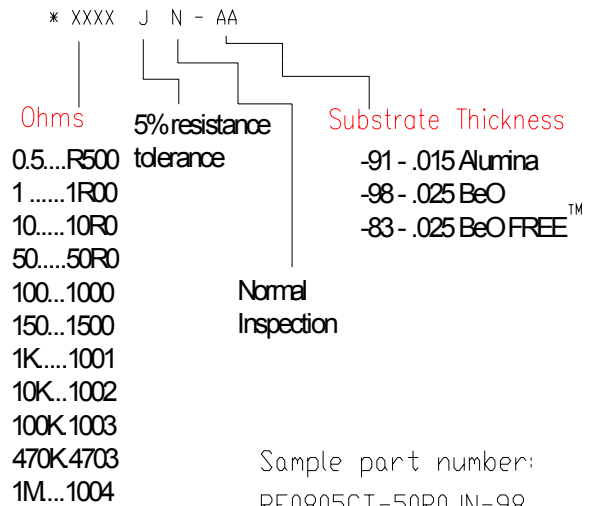
### Features:

- ◆ BeO, BeO FREE™, or Alumina
- ◆ Surface Mount
- ◆ Pre-Tinned

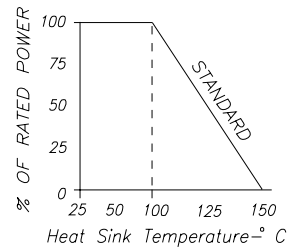


### General Description:

The RE0805CT-XXXXJN-AA\* is a 50 Ohm standard (.5 - 1Megohm available) surface mountable high power chip resistor ideal for small assemblies.



### DERATING CURVE:



Parameter	Min.	Typ.	Max.	Units
Power Dissipation (Alumina)			.4	WATTS
Power Dissipation (BeO)			5	WATTS
Power Dissipation (BeO FREE™)			.2	WATTS
Heat Sink Temperature			100	°C

\* Barry Industries reserves the right to change part number and or process without notification

Barry Industries, Inc., 60 Walton St., Attleboro, MA 02703 T: 508-226-3350 F: 508-226-3317 E-mail: sales@barryind.com

Barry is ISO 9001:2000 Certified by



Date	Rev.
05/10/04	A