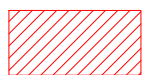
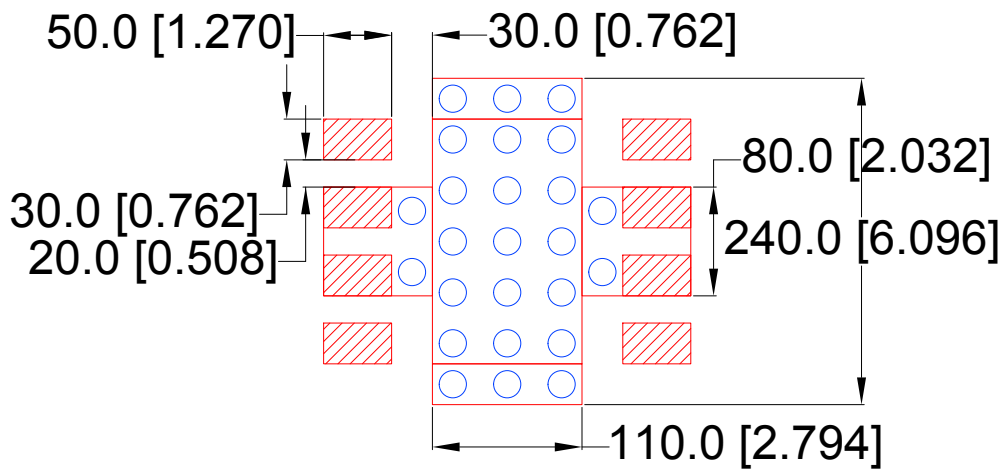
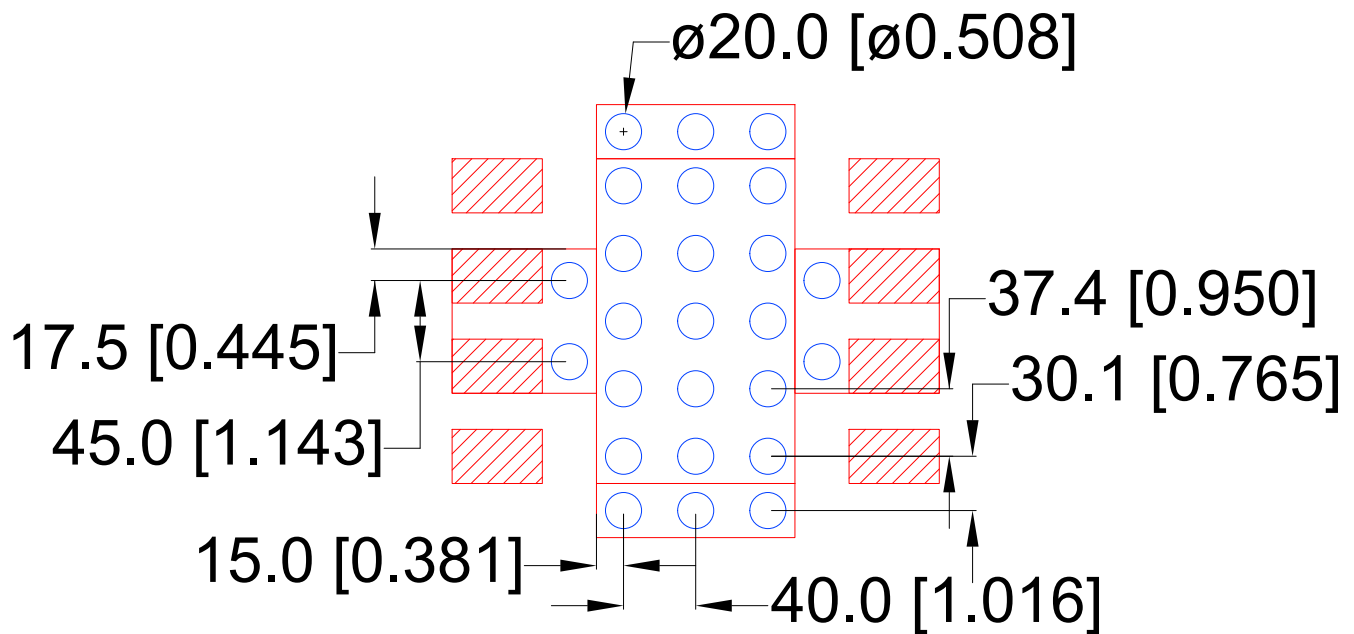


# NOMINAL FOOTPRINT



Denotes plated copper land pattern free of solder mask.



Title Modelithics, INC.

CONTROLLING DIMENSIONS - MILS (0.001")  
[ METRIC DIM - mm] FOR REFERENCE ONLY

Scale  
NOT TO  
SCALE

Drawn by  
MDLX

File Name AMPXP-MCL-PGA102plus-001.dwg

Date 07-24-2014

Sheet 1

Rev  
**1**