



New Product Announcement

Contacts:

Modelithics, Inc.

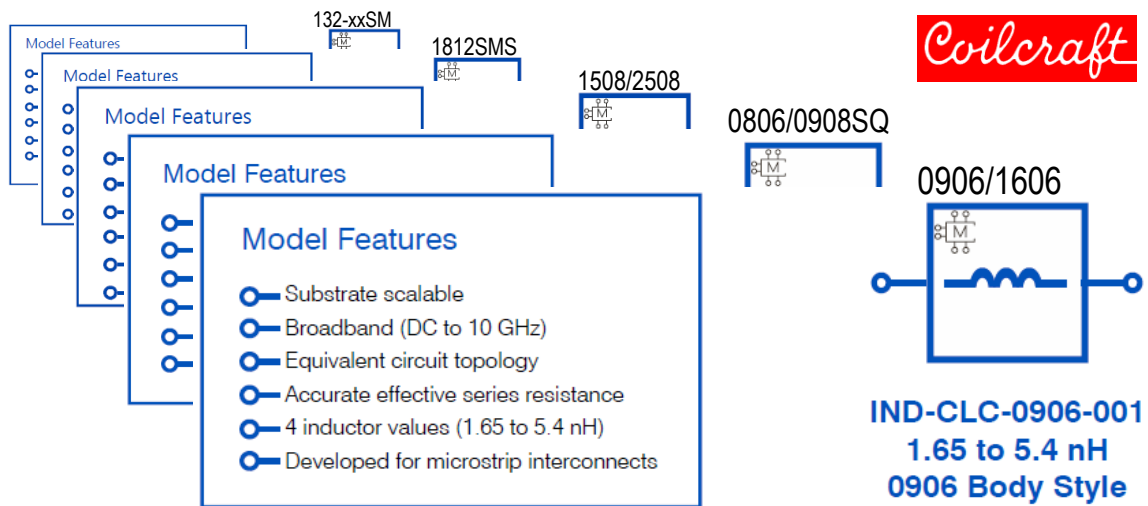
Lencia Walters

813-866-6335

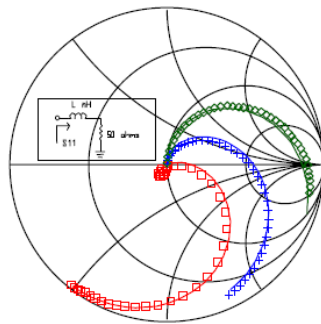
lwalters@modelithics.com

Tampa, Florida —September 2012

New! Coilcraft Hi-Q Air Core Inductor *Simulation Models*



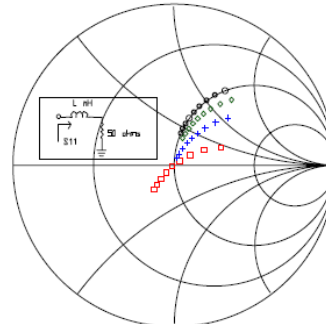
Frequency Sweep



Legend: □ 5mil, + 14mil, ◇ 59mil
Lines - Model data, Symbols - Measured data

S11 for a 2.65 nH inductor mounted on various FR4 substrates from 0.04 to 10 GHz.

Part Value Sweep



Legend: □ 5mil, + 14mil, ◇ 59mil, ○ Ideal

Model S11 at 2 GHz for inductor values from 1.65 to 5.4 nH on selected FR4 substrate heights compared to an ideal inductor response.

Modelithics has released new simulation models for five Coilcraft RF inductor families. New models are now available for Coilcraft inductor families **132SM**, **1812SMS**, **1508/2508**, **0906/1606**, and **0806/0908SQ**. The highly-accurate measurement-based



models are substrate and part-value scalable and predict component, pad and substrate parasitics. The models also feature simulation modes that remove pad effects from the models if EM simulation is being used. Every model has a datasheet that gives the designer detailed information about frequency limits, measurement conditions, and model features. The models are supported in Agilent Advanced Design System (ADS), Agilent Genesys and AWR Microwave Office. For more information and to request a free trial, please call 888-359-6359 or contact sales@modelithics.com .

About Modelithics, Inc.

Modelithics, Inc. (www.Modelithics.com) was formed in 2001 to address the industry-wide need for high-accuracy RF and microwave active and passive simulation models for use in Electronic Design Automation (EDA). Current products include the *CLR Library™*, which contains measurement-based *Global Models* for a multitude of commercially-available passive component families, the *NLD Library™* (non-linear diode models) the *NLT Library™* (non-linear transistor models), and the *SLC Library™* (*system level component models*). Modelithics' services also address a wide range of custom RF and microwave measurement and modeling needs.

Modelithics® is a registered trademark of Modelithics, Inc. CLR Library™, NLD Library™, NLT Library™, and the SLC Library™ are also trademarks of Modelithics, Inc..